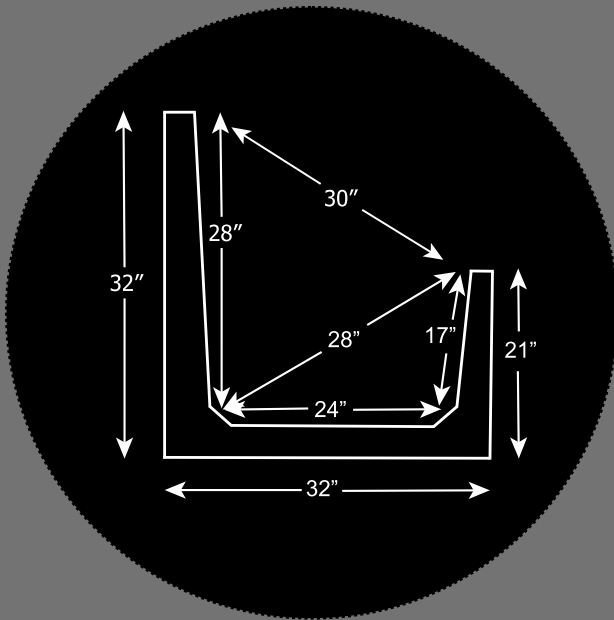


# Straight Back Fenceline Feed Bunk

Measurements:



Great for indoor operations! This Bunk is also a high volume feeder.

- Aids in Keeping Alleys Clean
- Straight Back Keeps Feed in the Bunk!
- Elevated Post
- Weight: 3,000 lbs.
- Fence Line Bunks Come with option for Cable or Pipe Fence

→ \$34.00/ft Cable Fence  
Center Post & 2 Runs of Cable

→ \$40.00/ft Pipe Fence  
Center Post & 2 Horizontal Pipe

→ \$30.00/ft Bunk Only

Delivery: \$4.50 per loaded mile

Bunk Ends: \$20.00/piece

Delivery can be scheduled typically within 2 weeks of your order.

Please give us a call or email with any questions!

  
**Divine**  
CONCRETE, INC.

Bonesteel, So. Dak.  
800.584.7000  
sales@divineconcrete.com