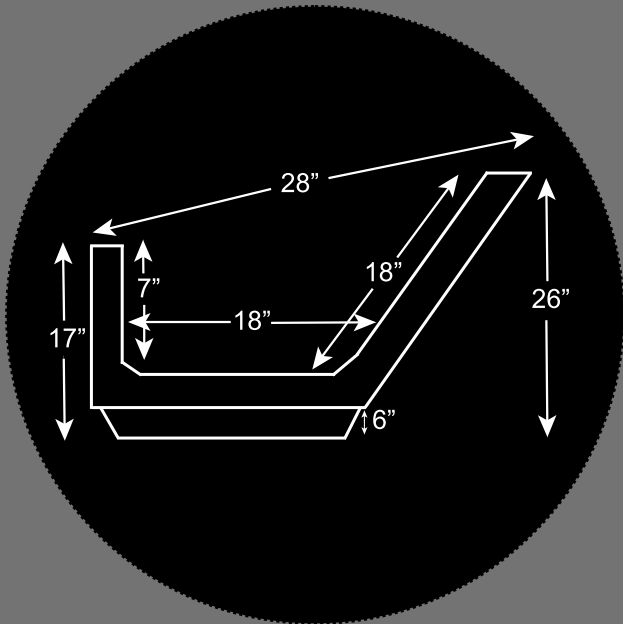


# Sheep Bunk | The Perfect Size

Measurements:



A favorite of SDSU & NDSU!

- Perfect size for the animal
- Produced specifically for sheep
- Weight: 1,500 lbs.
- Poured with a 6" Leg

→ \$28.00/ft Cable Fence  
Center Post & 2 Runs of Cable

→ \$34.00/ft Pipe Fence  
Center Post & 2 Horizontal Pipe

→ \$24.00/ft Bunk Only

Delivery: \$4.50 per loaded mile

Bunk Ends: \$20.00/piece

Delivery can be scheduled typically within 2 weeks of your order.

Please give us a call or email with any questions!

**Divine**  
CONCRETE, INC.

Bonesteel, So. Dak.  
800.584.7000  
sales@divineconcrete.com